



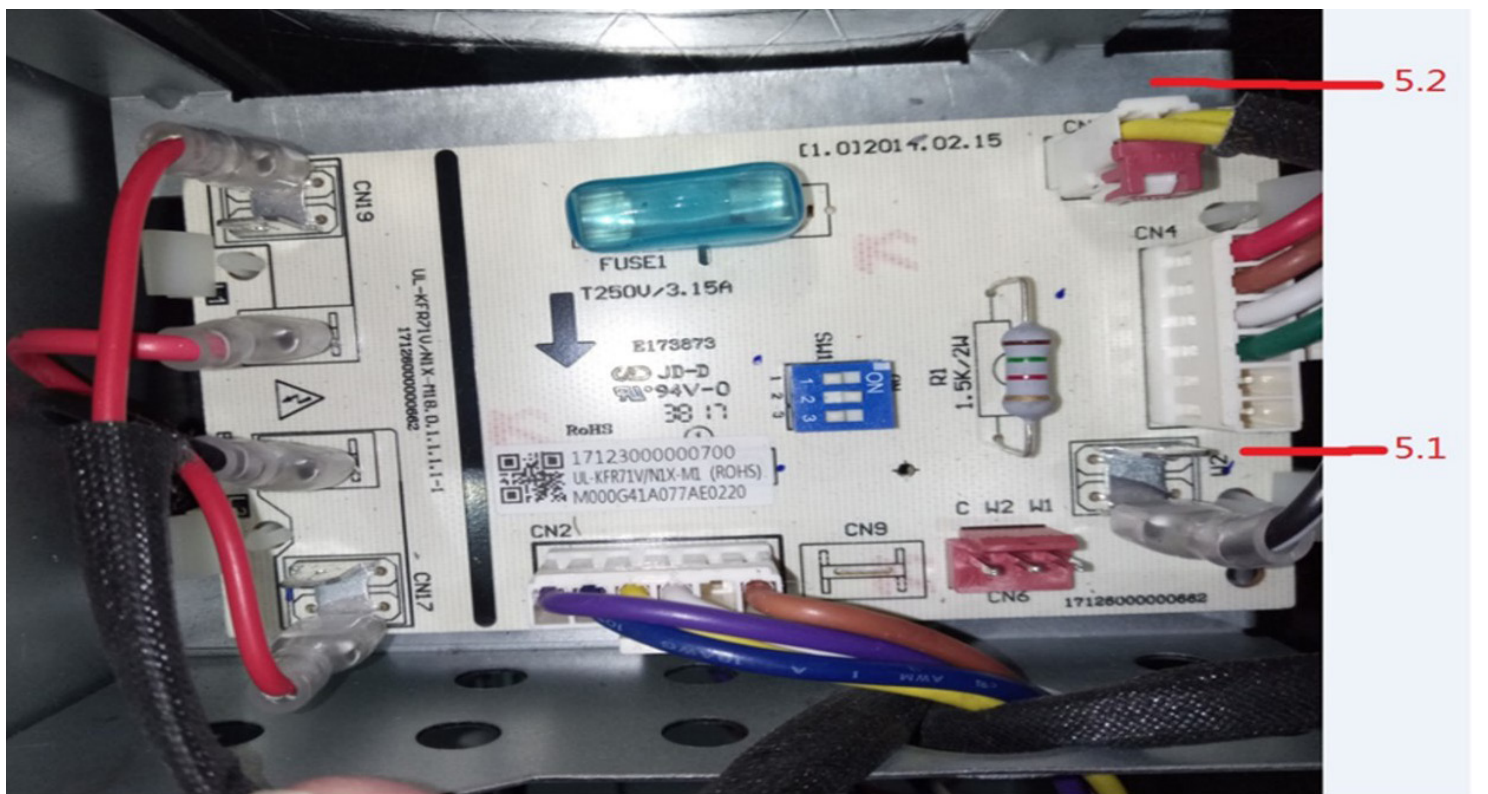
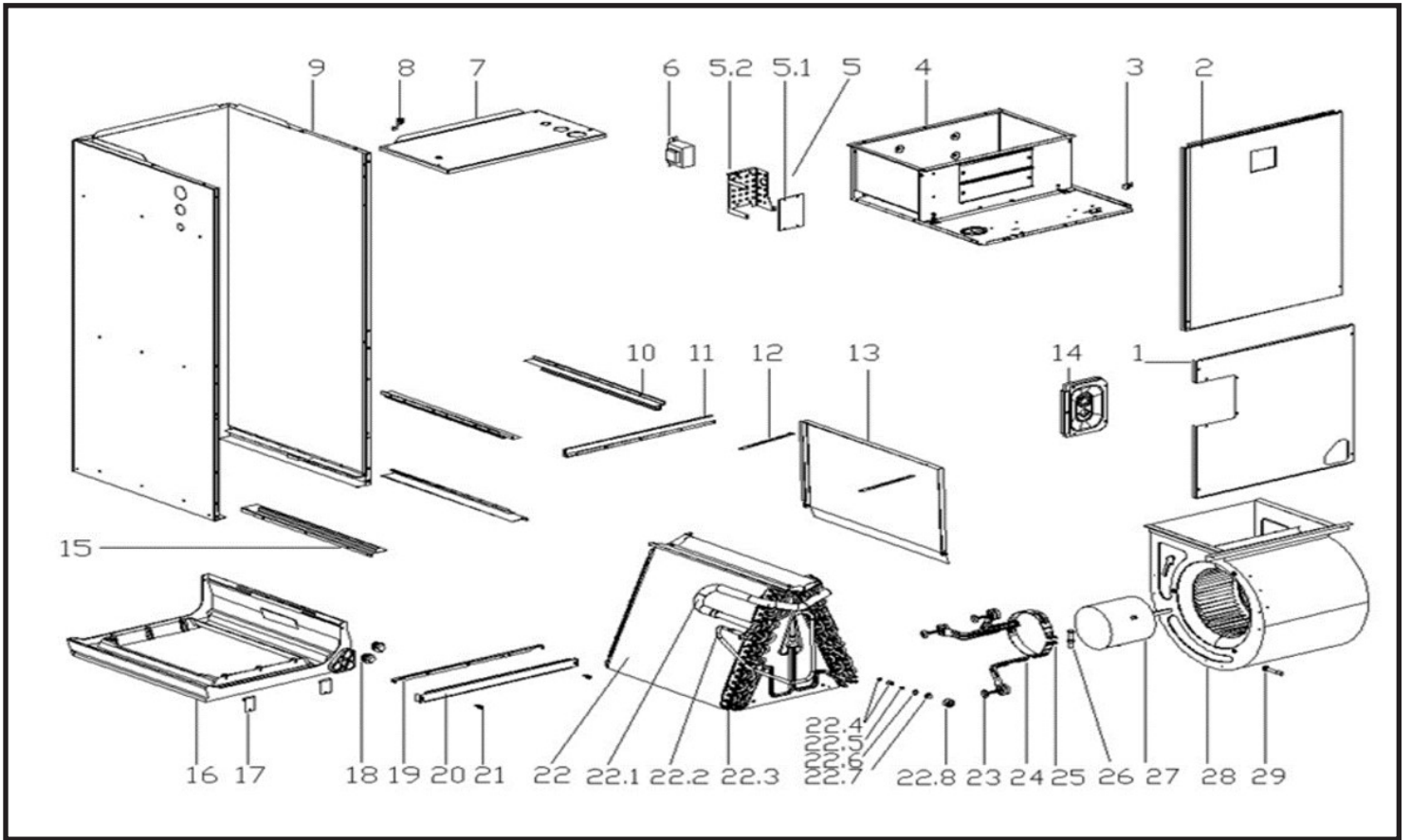
Multi-Position Air Handler Constant Torque

AMC36S1A

Parts List



MARS®



EX_ID	Spare Parts Code	Part Name(EN)	Qty.	Recommend store spare parts
1	12223000010765	Side panel assembly	1	
2	12223000002200	Side panel assembly	1	
3	11201708000008	Wiring Terminal	1	
4	12223000002121	Air duct ass'y	1	YES
5	17223000005676	E-part box assembly	1	
5.1	17123000000700	Electronic control(display) box subassembly of indoor unit	1	
5.2	12223000002167	Electric installation board	1	
6	11203103000141	Linear Transformer	1	YES
7	12223000002185	Side panel assembly	1	
8	12100304000011	Clamp	1	
9	12223000002355	Base ass	1	
10	12223000001935	Drainage pan supporting board	2	
11	12223000010772	Supporter assembly	1	
12	12223000010756	Drainage pan clamp	2	
13	12223000001204	Drainage pan	1	YES
14	12223000010789	Cover plate ass'y	1	
15	12223000010771	Drainage pan supporting board	2	
16	12123000000114	Drain pan ass'y	1	YES
17	12223000000028	Fixing board of water collector	2	
18	15500402000023	seal plug	2	
19	12223100000197	Supporting bar	1	
20	12223000002005	Cover board	1	
21	11301230000002	Screw	2	
22	15823000004408	Evaporator assembly	1	YES
22.1	15223000000165	Output pipe assembly	1	
22.2	15423000004540	Evaporator input pipe assembly	1	
22.3	15823000004405	Evaporator	2	
22.4	15500210000968	Throttle	1	YES
22.5	15500220000049	Piston	1	YES
22.6	12100901000010	Sealing ring	1	YES
22.7	15500302000014	Flange joint	1	YES
22.8	15500402000245	Nut	1	
23	11301002000673	Hexagon head bolt and plain washer	3	
24	12223000001932	Supporter subassembly of fan motor	3	
25	12223000001992	Supporter of fan motor	1	
26	11002015007643	Brushless DC Motor	1	YES
27	11301705000106	Hexagon head bolt	1	
28	12200101000029	Fan Assembly	1	YES
29	15500302000006	Attachment-flange connection pipe	1	YES

Due to ongoing product improvements, specifications and dimensions are subject to change and correction without notice or incurring obligations. Determining the application and suitability for use of any product is the responsibility of the installer. Additionally, the installer is responsible for verifying dimensional data on the actual product prior to beginning any installation preparations.

Incentive and rebate programs have precise requirements as to product performance and certification. All products meet applicable regulations in effect on date of manufacture; however, certifications are not necessarily granted for the life of a product. Therefore, it is the responsibility of the applicant to determine whether a specific model qualifies for these incentive/rebate programs.



1900 Wellworth Ave., Jackson, MI 49203 • Ph. 517-787-2100 • www.marsdelivers.com

